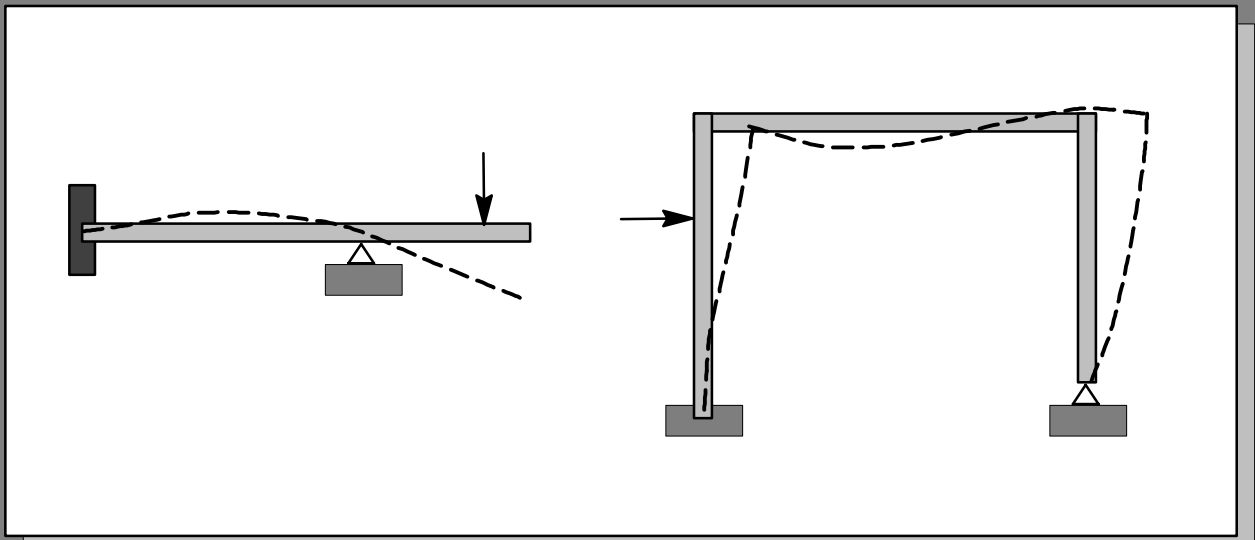


Structural Analysis I

CIVL 3121



Class Notes

Analysis of Statically Determinate Structures	1
Idealized Structures	1
Principle Of Superposition	2
Equations Of Equilibrium	2
Determinacy And Stability	3
Application Of The Equations Of Equilibrium	4
Analysis of Statically Determinate Trusses	5
Common Types Of Trusses	5
Classification Of Coplanar Trusses	5
The Method of Joints	7
Zero- -force Members	11
The Method of Sections	12
Compound Trusses	17
Space Trusses	17
Internal Loadings Developed in Structural Members	18
Internal Loadings At A Specified Point	18
Shear And Moment Functions	22
Shear And Moment Diagrams For A Beam	27
Shear And Moment Diagrams For Selected Loadings	32
Shear And Moment Diagrams For A Frame	38
Moment Diagrams Constructed By The Method of Superposition	42
Influence Lines For Statically Determinate Structures	44
Influence Lines	44
Influence Lines For Beams	52
Qualitative Influence Lines	56
Influence Lines For Floor Girders	62
Influence Lines For Trusses	65
Live Loads For Bridges	69
Maximum Influence at a Point Due to a Series of Concentrated Loads	70
Absolute Maximum Shear And Moment	78
Deflections	82
Deflection Diagrams and the Elastic Curve	82
Elastic-Beam Theory	84
Moment-Area Theorems	85
Conjugate-Beam Method	89
Energy Methods for Computing Deflections	96
External Work and Strain Energy	96
Principle of Work and Energy	98
Principle of Virtual Work	99
Principle of Virtual Work: Trusses	101
Principle of Virtual Work: Beams and Frames	105
Virtual Strain Energy Caused by Shear, Torsion, and Temperature	112
Castigliano's Theorem	122
Castigliano's Theorem for Trusses	123
Castigliano's Theorem for Beams and Frames	127