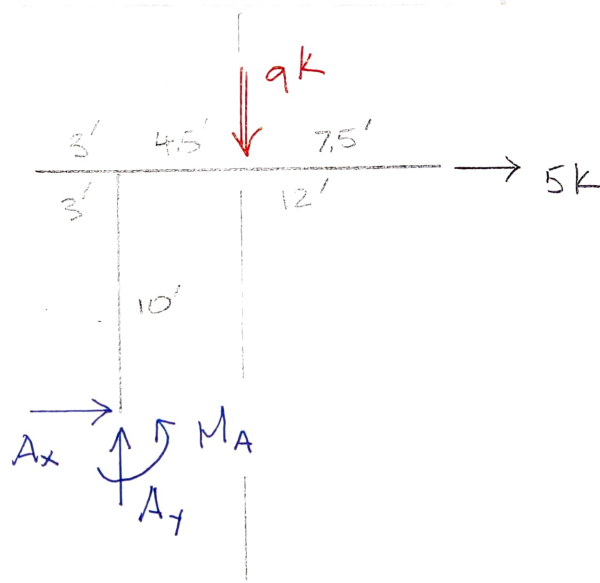
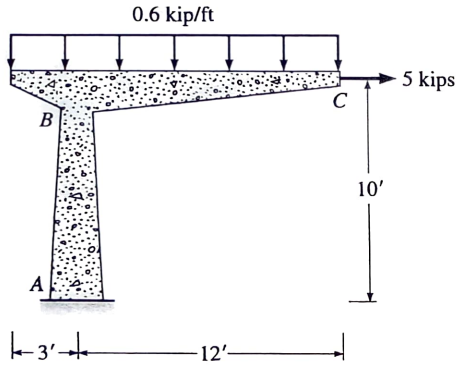


Example 2a-2: Find the reactions



$$\curvearrowleft \sum M_A = 0 = M_A - 9k(4.5') - 5k(10')$$

$$\underline{\underline{M_A = 90.5 \text{ kft}}}$$

$$\rightarrow \sum F_x = 0 = A_x + 5k$$

$$\underline{\underline{A_x = -5k}}$$

$$\uparrow \sum F_y = 0 = A_y - 9k$$

$$\underline{\underline{A_y = 9k}}$$