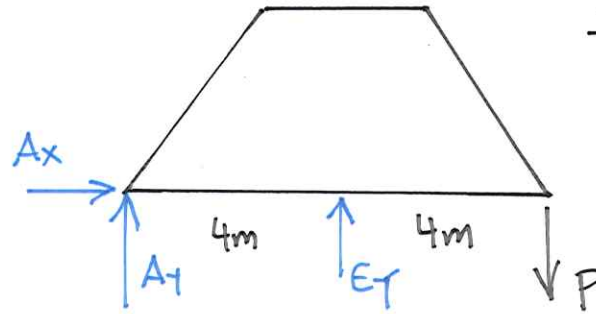
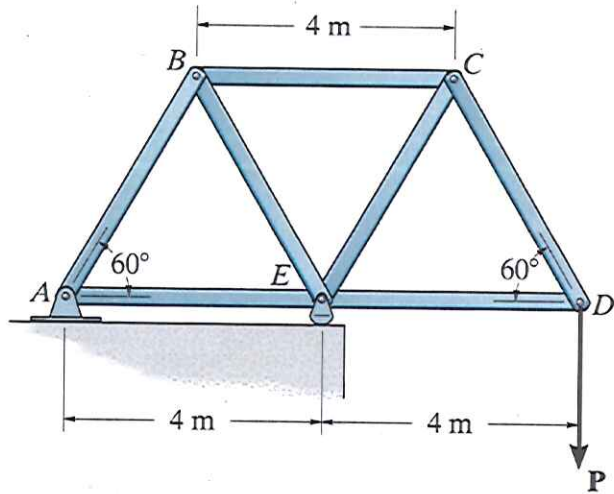


Example 3-2. Determine all the forces in the following truss.



$$\sum M_A = 0 = E_y(4m) - P(8m)$$

$$E_y = 2P$$

$$\sum F_y = 0 = A_y + E_y - P$$

$$A_y = -P$$

$$\sum F_x = 0 = A_x$$

JOINT D

$$\sum F_y = 0 = F_{CD} \sin 60^\circ - P$$

$$F_{CD} = 1.155P$$

$$\sum F_x = 0 = -F_{DE} - F_{CD} \cos 60^\circ$$

$$F_{DE} = -0.578P$$

