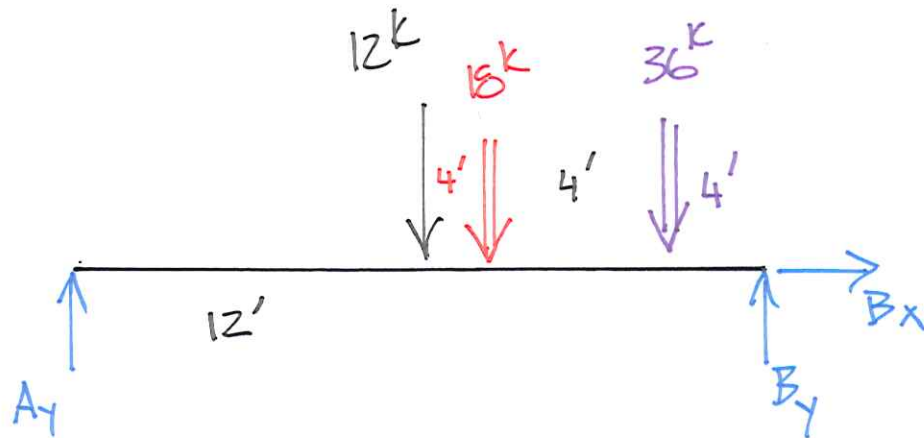
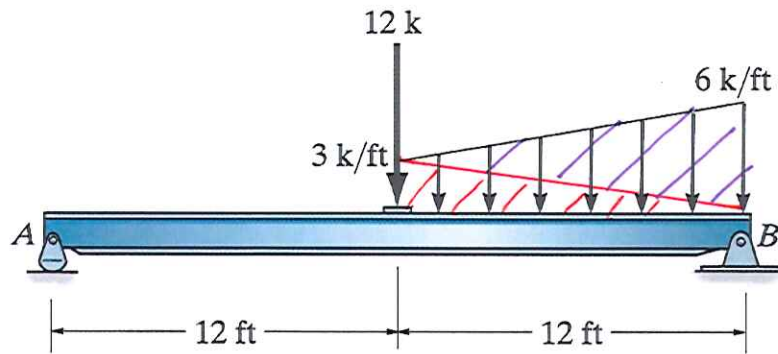


Example 2a-5: Find the reactions



$$\rightarrow \sum F_x = 0 = \underline{\underline{B_x}}$$

$$\curvearrowright \sum M_B = 0 = 36^k(4') + 18^k(8') + 12^k(12') - A_y(24')$$

$$\underline{\underline{A_y = 18^k}}$$

$$\uparrow \sum F_y = 0 = A_y + B_y - 12^k - 18^k - 36^k$$

$$\underline{\underline{B_y = 48^k}}$$