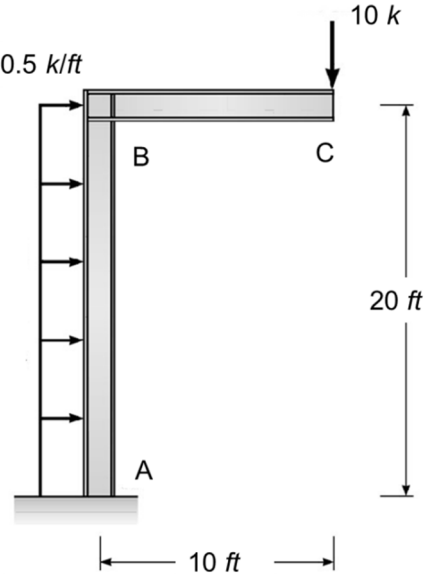


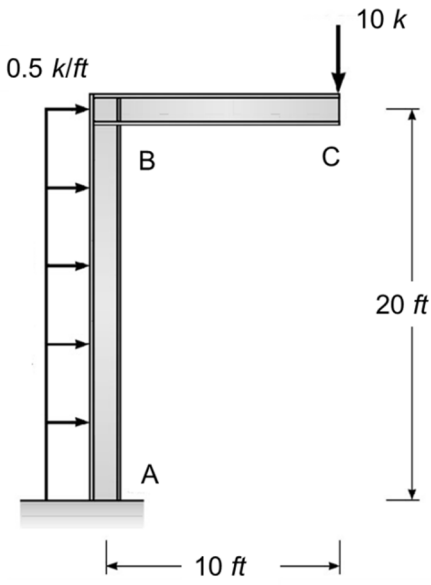
**Example 8c-1:** Compute the vertical deflection and rotation at point C on the frame shown. Include only the effects of the bending moment in your virtual work equations. Assume  $E = 29,000 \text{ ksi}$  and  $I = 1,000 \text{ in}^4$ .

Real loads



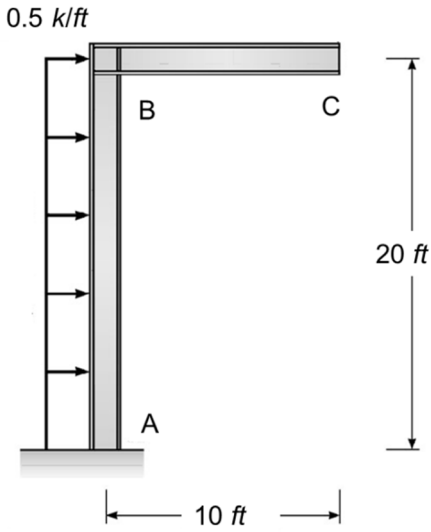
**Example 8c-1:** Compute the vertical deflection and rotation at point C on the frame shown. Include only the effects of the bending moment in your virtual work equations. Assume  $E = 29,000 \text{ ksi}$  and  $I = 1,000 \text{ in}^4$ .

Virtual load



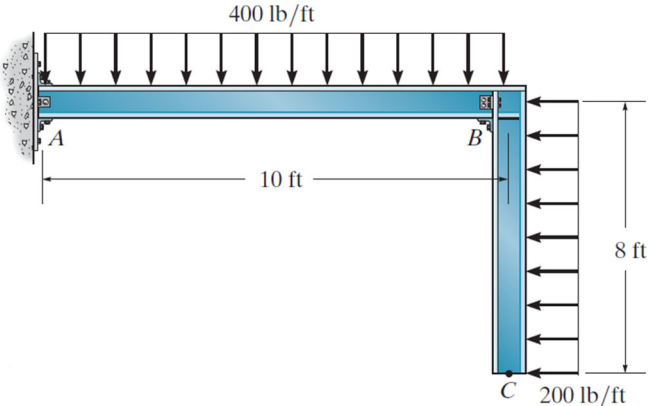
**Example 8c-1:** Compute the vertical deflection and rotation at point C on the frame shown. Include only the effects of the bending moment in your virtual work equations. Assume  $E = 29,000 \text{ ksi}$  and  $I = 1,000 \text{ in}^4$ .

Virtual load



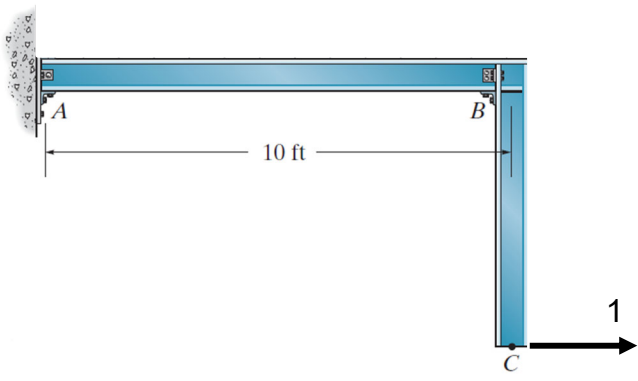
**Example 8c-2:** Determine the horizontal displacement at point C. Assume  $EI$  is constant.

Real loads



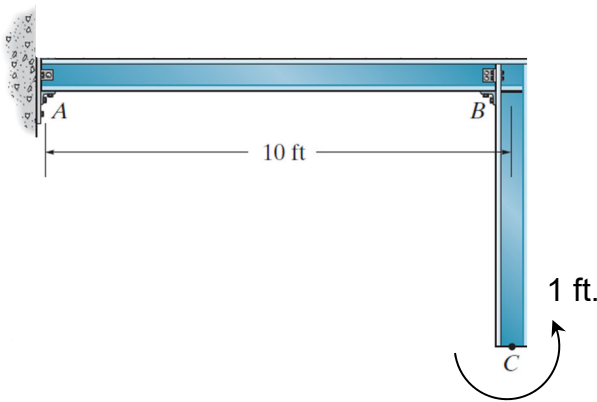
**Example 8c-2:** Determine the horizontal displacement at point C. Assume  $EI$  is constant.

Virtual load



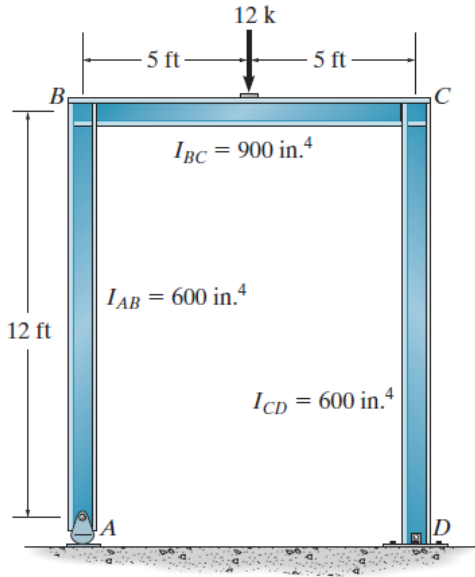
**Example 8c-2:** Determine the horizontal displacement at point C. Assume  $EI$  is constant.

Virtual load



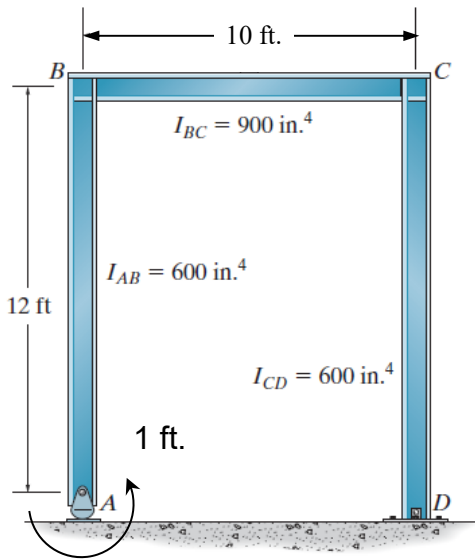
**Example 8c-3:** Determine the slope at point A. Assume  $E = 29,000$  ksi.

Real Loads



**Example 8c-3:** Determine the slope at point A. Assume  $E = 29,000$  ksi.

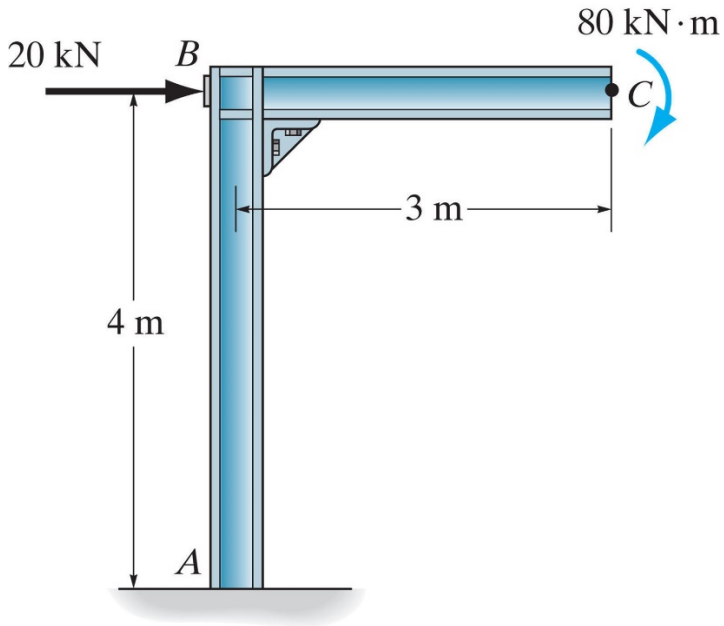
Virtual couple





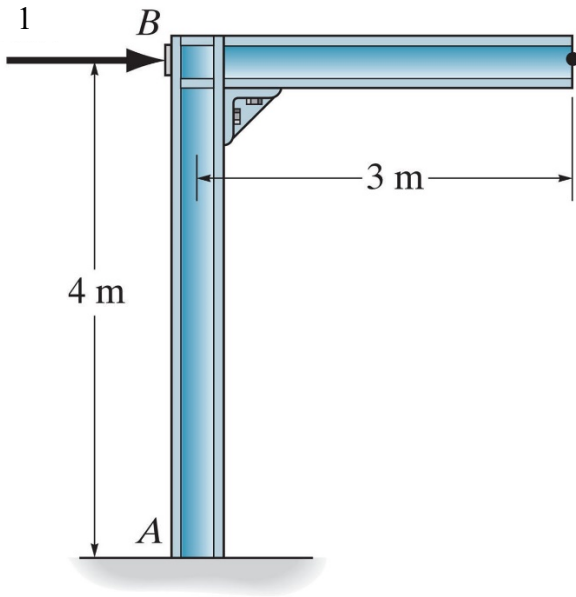
**Example 8c-4:** Compute the horizontal deflection at point  $B$  on the frame shown. Include only the effects of the bending moment in your virtual work equations.

Real Loads

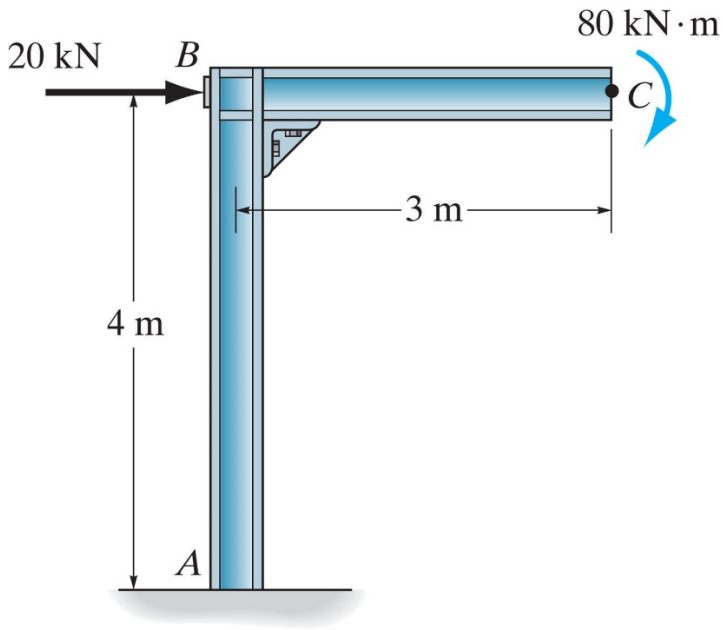


**Example 8c-4:** Compute the horizontal deflection at point  $B$  on the frame shown. Include only the effects of the bending moment in your virtual work equations.

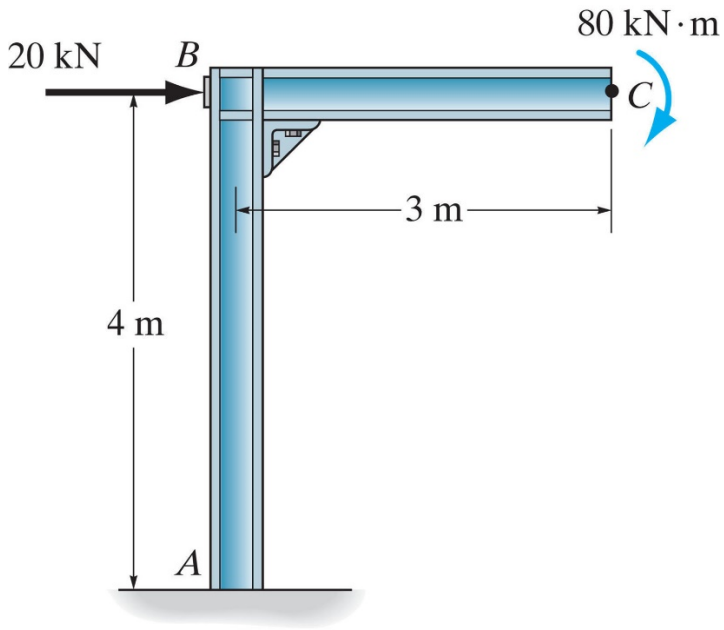
Virtual Load



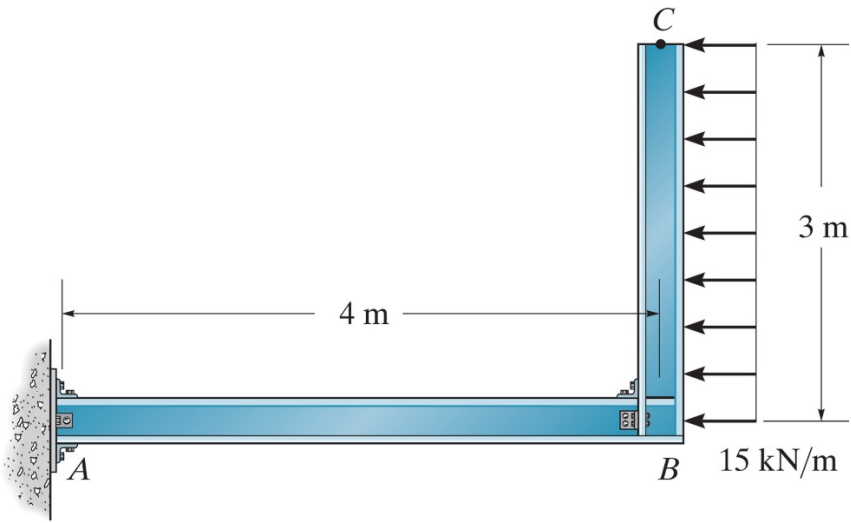
**Example 8c-5:** Compute the slope at point C on the frame shown. Include only the effects of the bending moment in your virtual work equations.



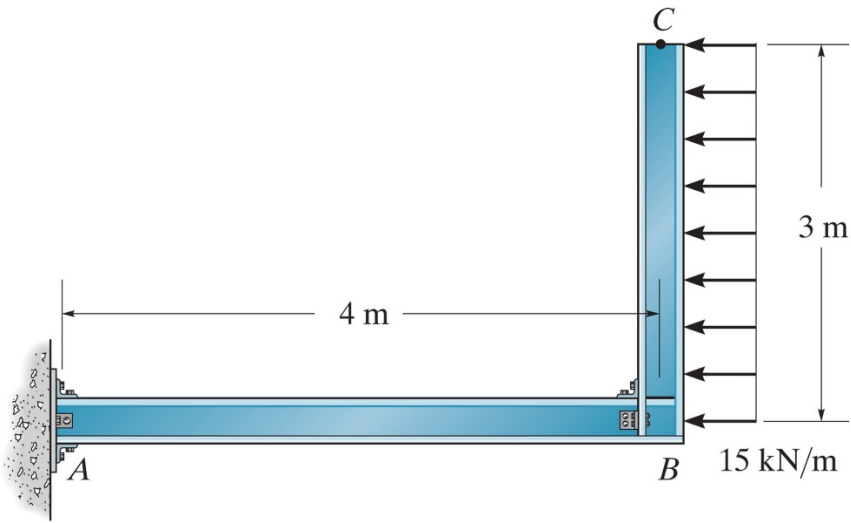
**Example 8c-5:** Compute the slope at point C on the frame shown. Include only the effects of the bending moment in your virtual work equations.



**Example 8c-6:** Compute the vertical displacement at point C on the frame shown. Include only the effects of the bending moment in your virtual work equations.



**Example 8c-6:** Compute the vertical displacement at point C on the frame shown. Include only the effects of the bending moment in your virtual work equations.



**Example 8c-6:** Compute the vertical displacement at point C on the frame shown. Include only the effects of the bending moment in your virtual work equations.

