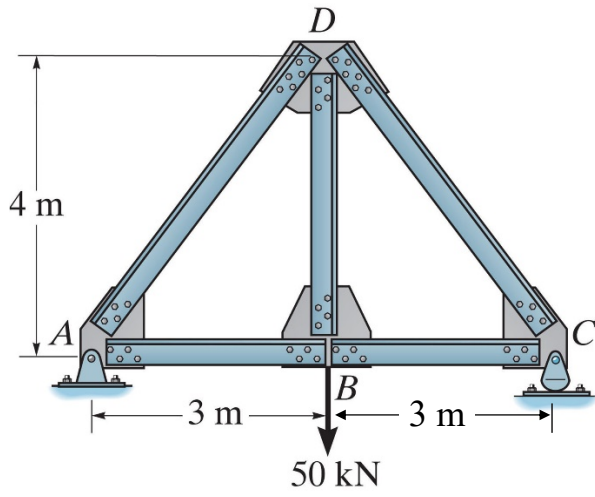
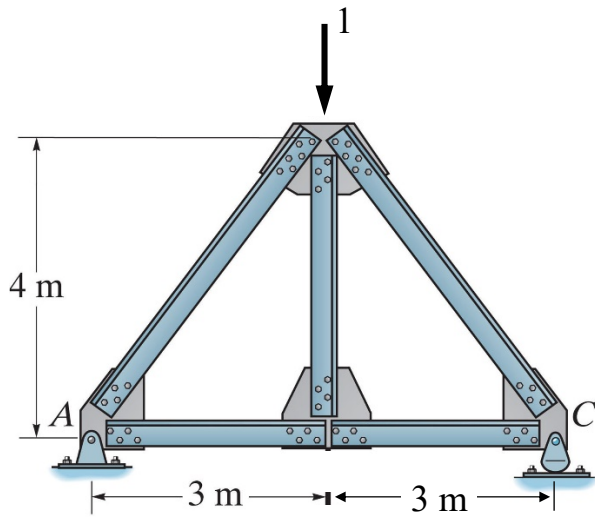


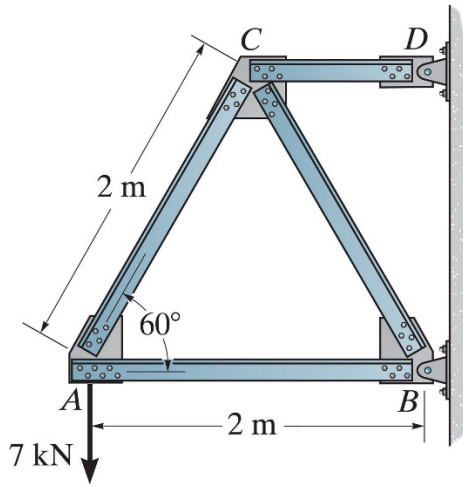
Example 8a-1: Determine the vertical displacement of joint D . Assume AE is constant.



Example 8a-1: Determine the vertical displacement of joint D . Assume AE is constant.



Example 8a-2: Determine the vertical displacement of joint *A*. Assume AE is constant.



Example 8a-2: Determine the vertical displacement of joint *A*. Assume AE is constant.

