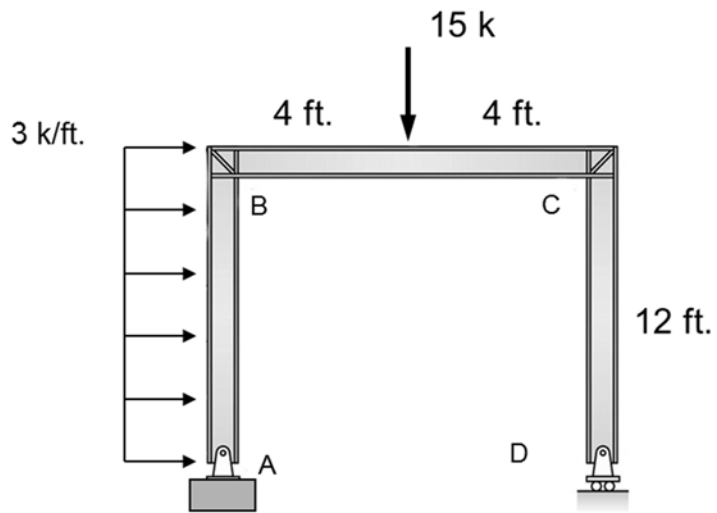
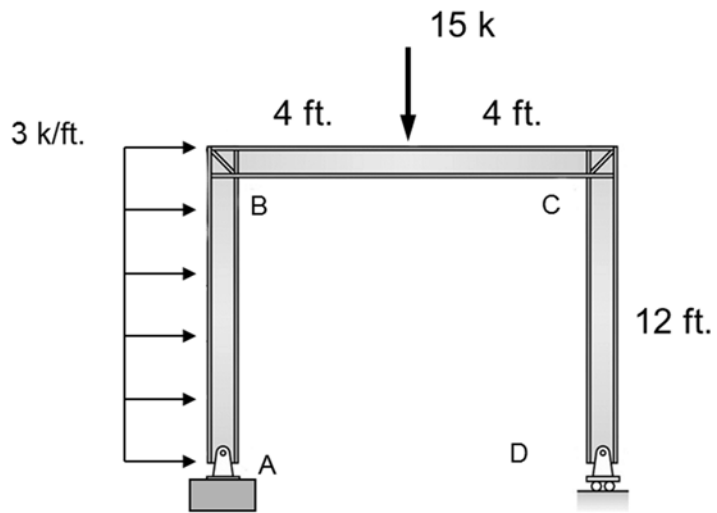


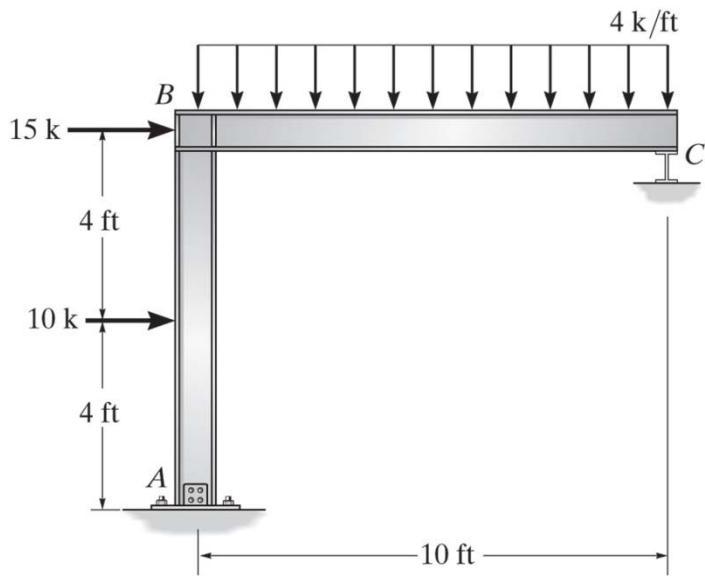
Example 4d-1: Draw the shear and moment diagrams for the following frame:



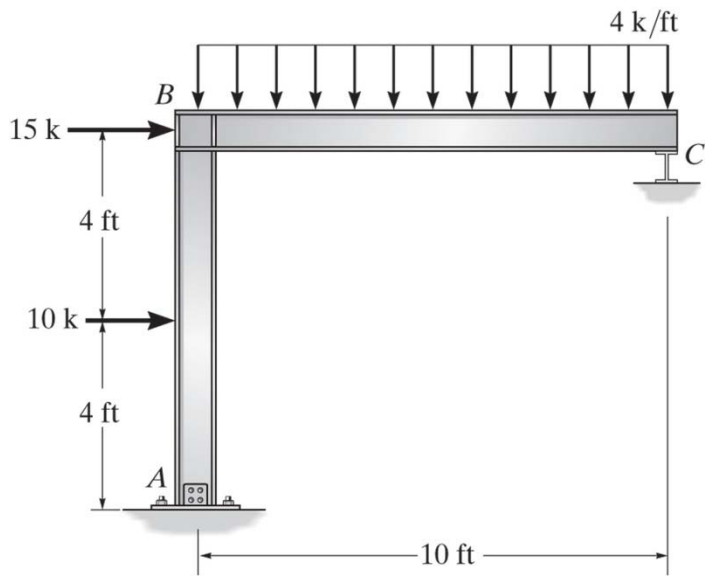
Example 4d-1: Draw the shear and moment diagrams for the following frame:



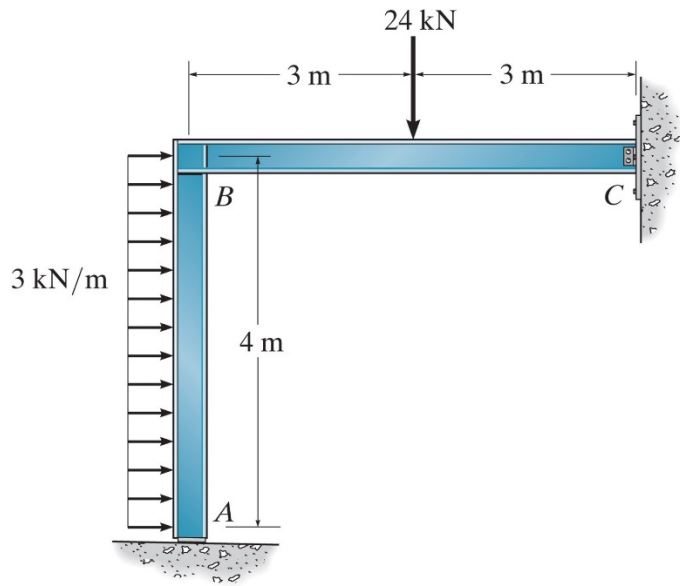
Example 4d-2: Draw the shear and moment diagrams for the following frame:



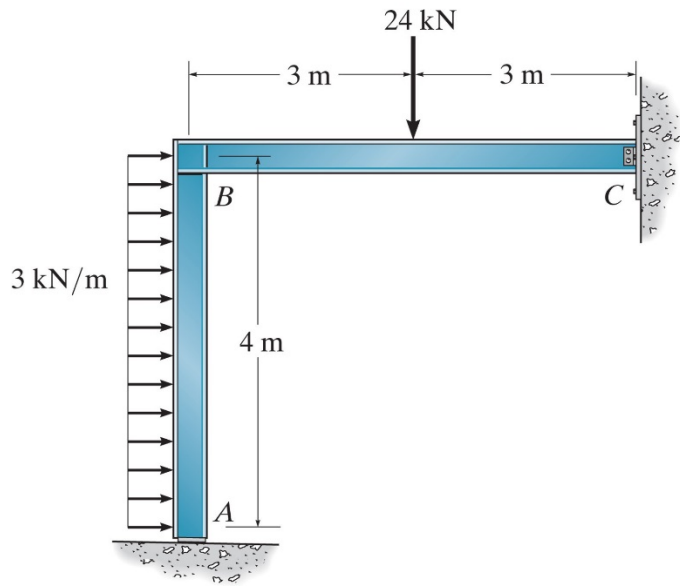
Example 4d-2: Draw the shear and moment diagrams for the following frame:



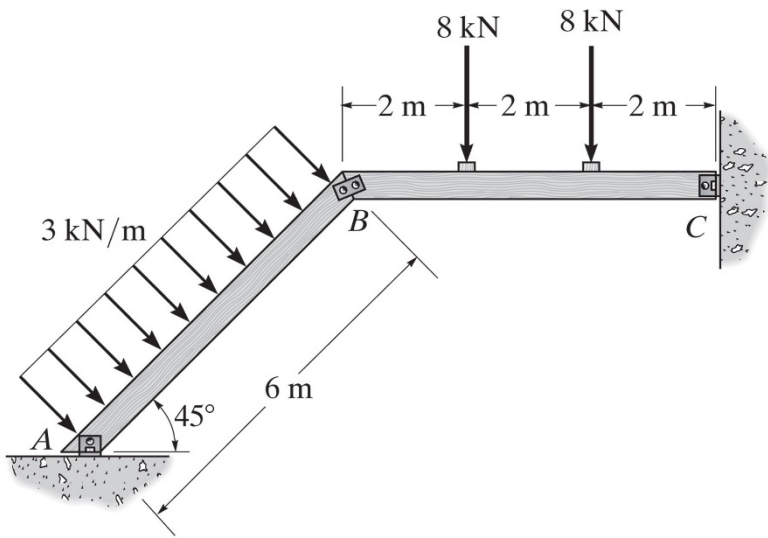
Example 4d-3: Draw the shear and moment diagrams for the following frame:



Example 4d-3: Draw the shear and moment diagrams for the following frame:



Example 4d-4: Draw the shear and moment diagrams for the following frame:



Example 4d-4: Draw the shear and moment diagrams for the following frame:

