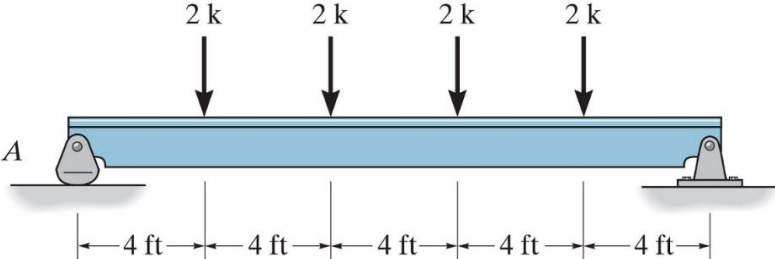
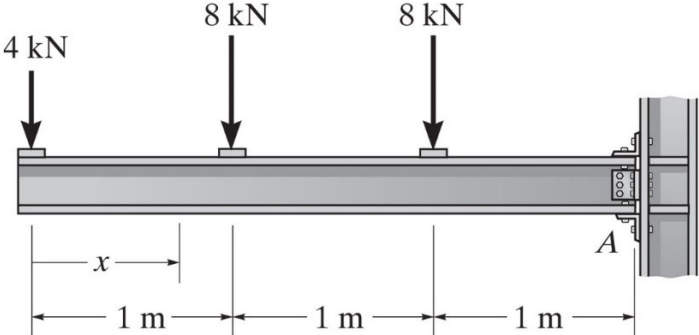


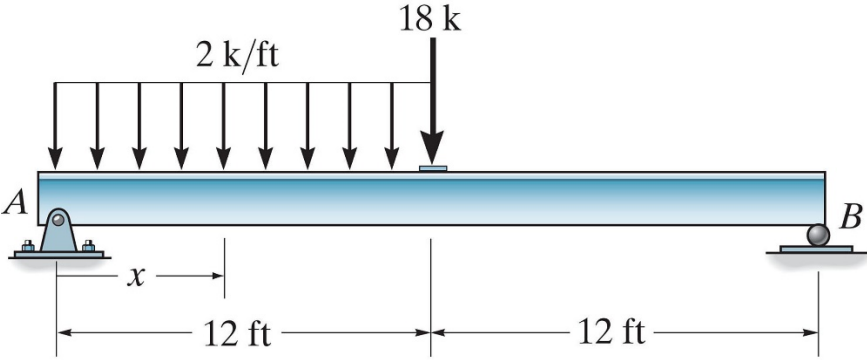
Example 4c-1 – Construct the shear force and bending moment diagrams.



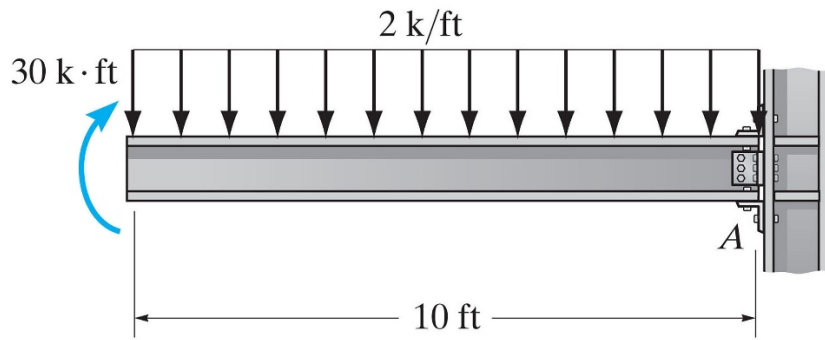
Example 4c-2 – Construct the shear force and bending moment diagrams.



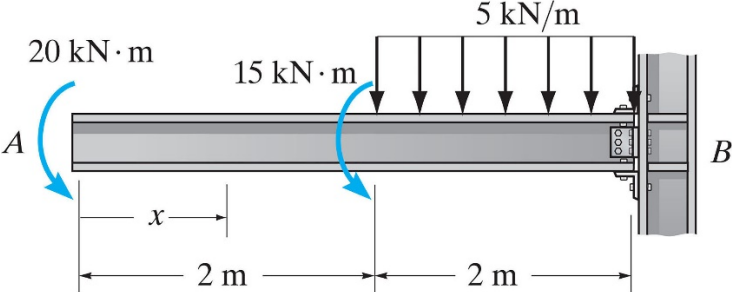
Example 4c-3 – Construct the shear force and bending moment diagrams.



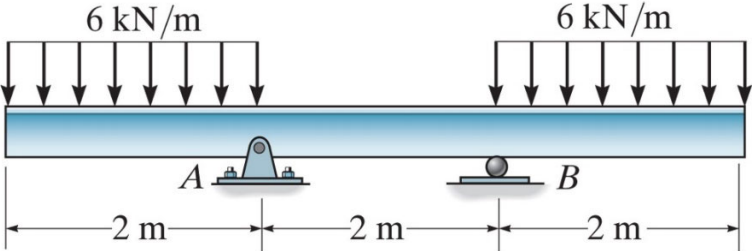
Example 4c-4 – Construct the shear force and bending moment diagrams.



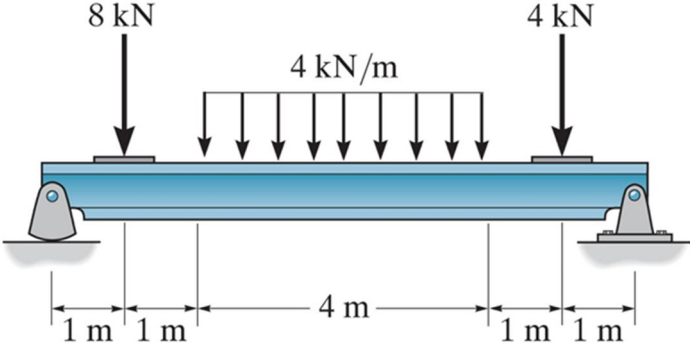
Example 4c-5 – Construct the shear force and bending moment diagrams.



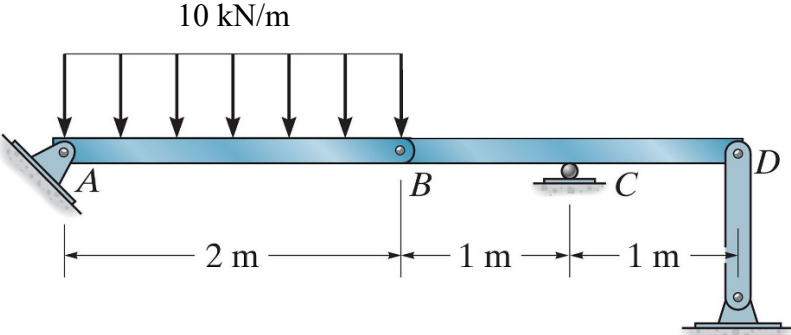
Example 4c-6 – Construct the shear force and bending moment diagrams.



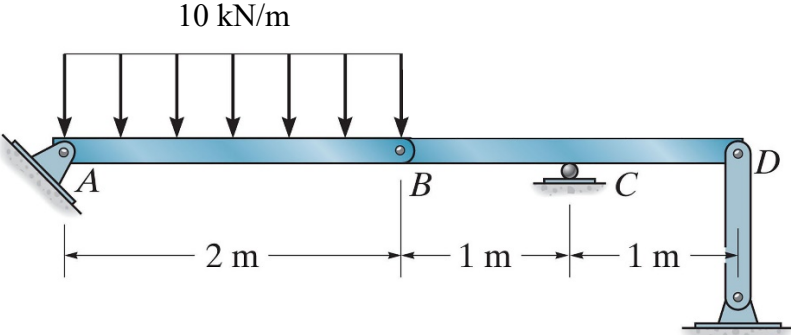
Example 4c-7 – Construct the shear force and bending moment diagrams.



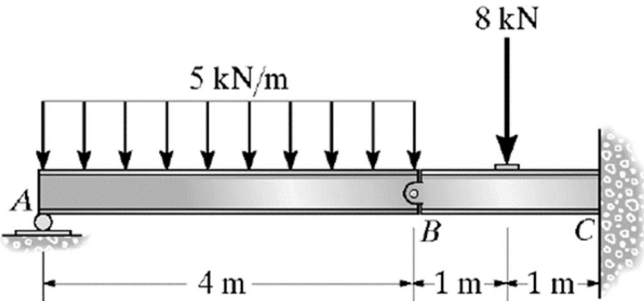
Example 4c-8 – Construct the shear force and bending moment diagrams.



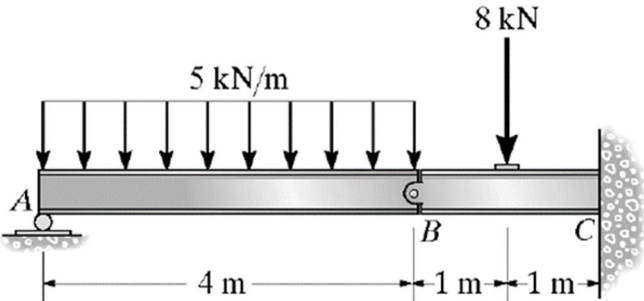
Example 4c-8 – Construct the shear force and bending moment diagrams.



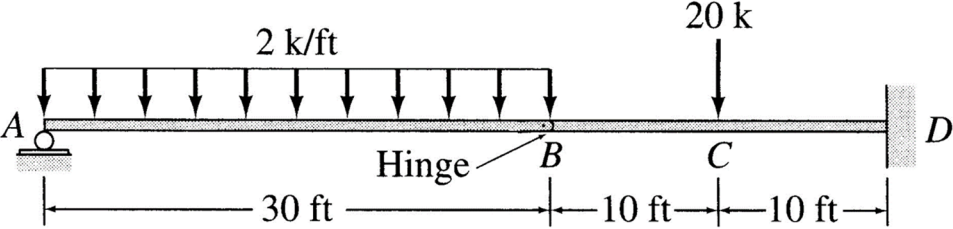
Example 4c-9 – Construct the shear force and bending moment diagrams.



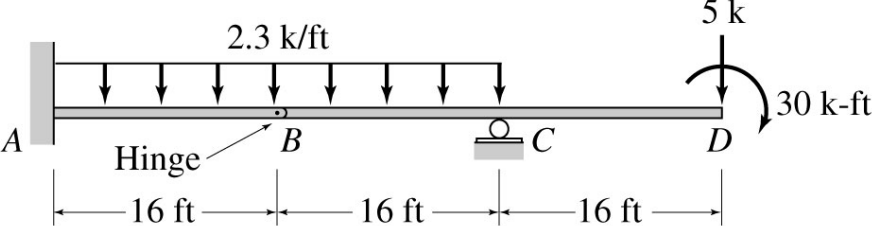
Example 4c-9 – Construct the shear force and bending moment diagrams.



Example 4c-10 – Construct the shear force and bending moment diagrams.



Example 4c-11 – Construct the shear force and bending moment diagrams.



Example 4c-12 – Construct the shear force and bending moment diagrams.

