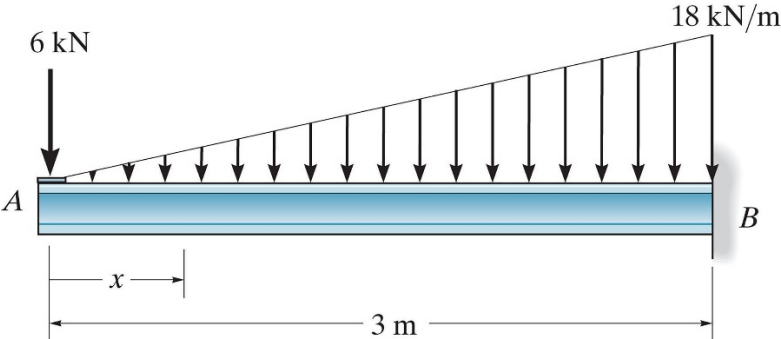
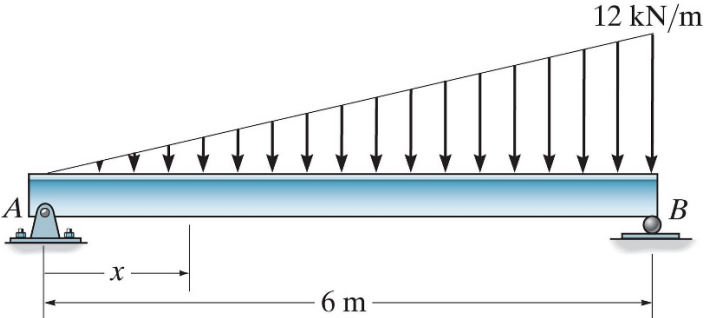


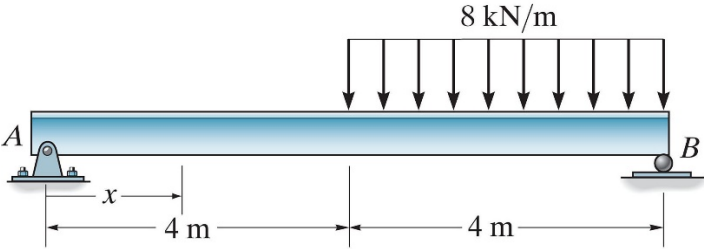
**Example 4b-5** - Determine the internal shear and bending moment as a function of  $x$ .



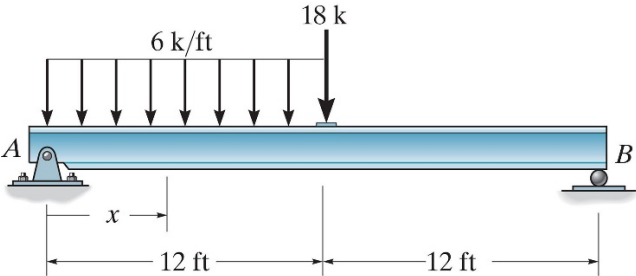
**Example 4b-6** - Determine the internal shear and bending moment as a function of  $x$ .



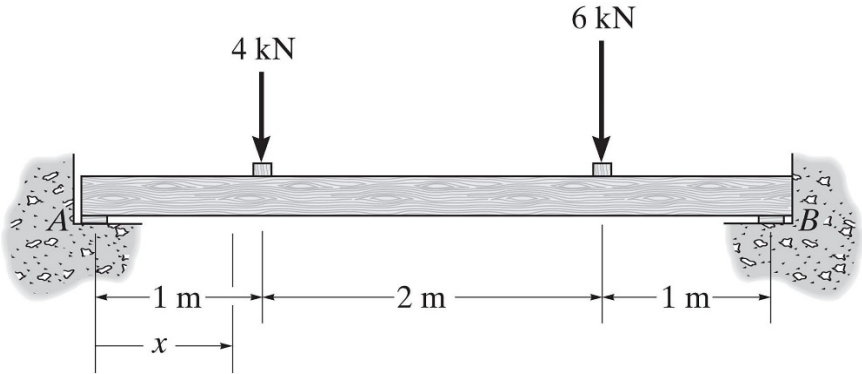
**Example 4b-7** - Determine the internal shear and bending moment as a function of  $x$ .



**Example 4b-8** - Determine the internal shear and bending moment as a function of  $x$ .



**Example 4b-9** - Determine the internal shear and bending moment as a function of  $x$ .



**Example 4b-9** - Determine the internal shear and bending moment as a function of  $x$ .

