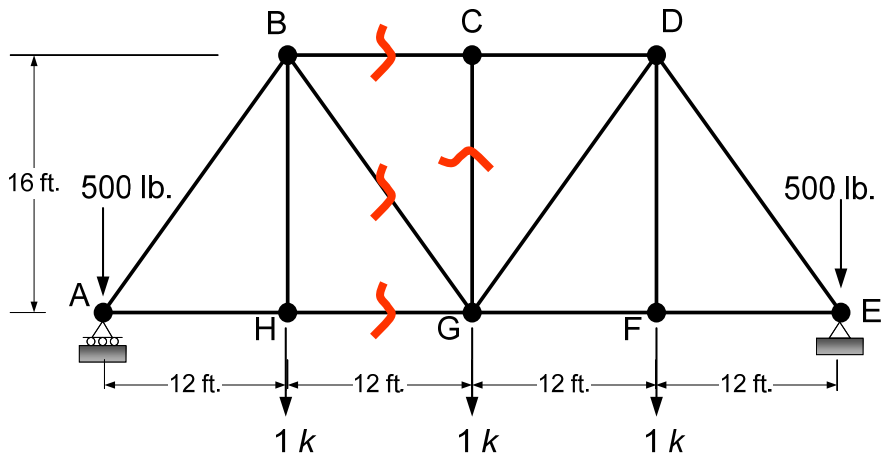
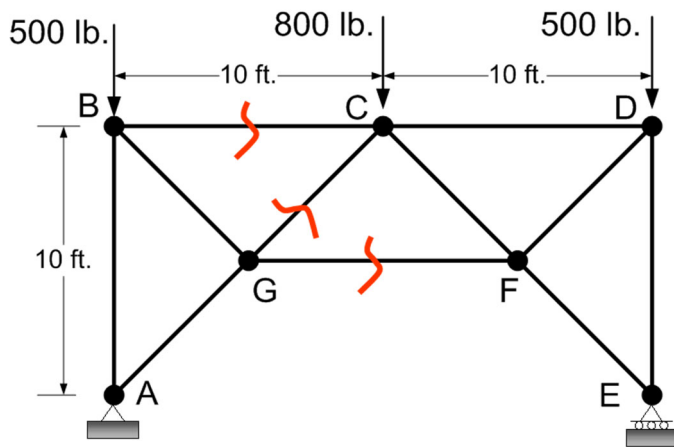


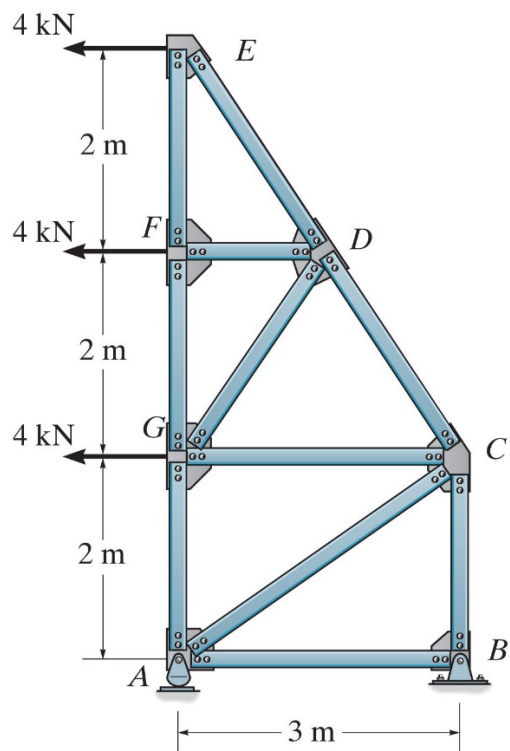
Example 3c-1: Determine the forces BC, BG, HG, and CG in the following truss.



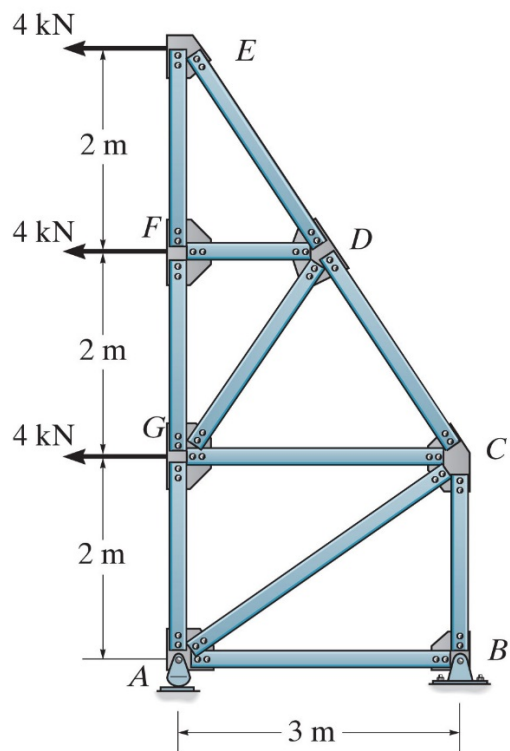
Example 3c-2: Determine the forces BC, CG, and GF in the following truss.



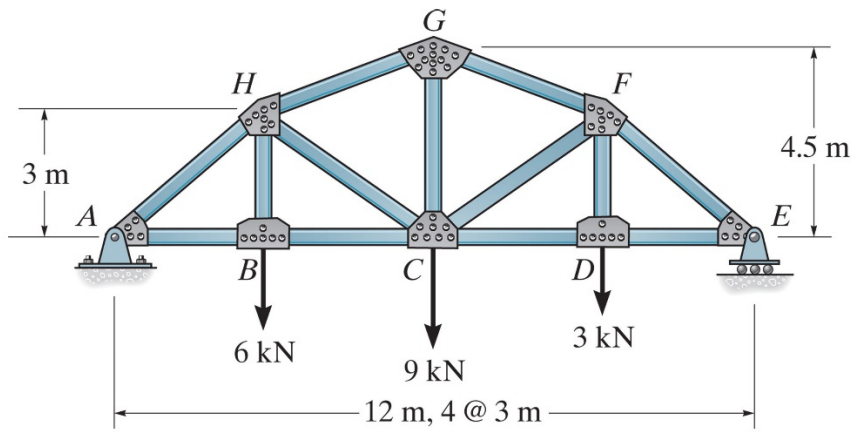
Problem 3c-3: Determine the forces in members FG , GD , CD , and GA .



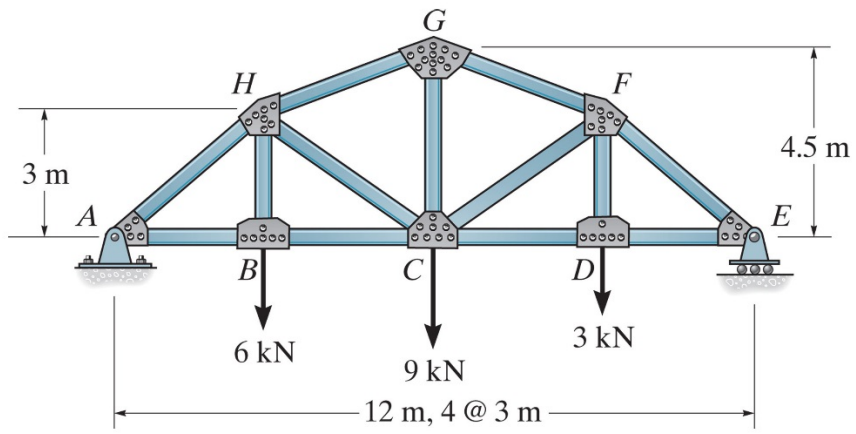
Problem 3c-3: Determine the forces in members FG , GD , CD , and GA .



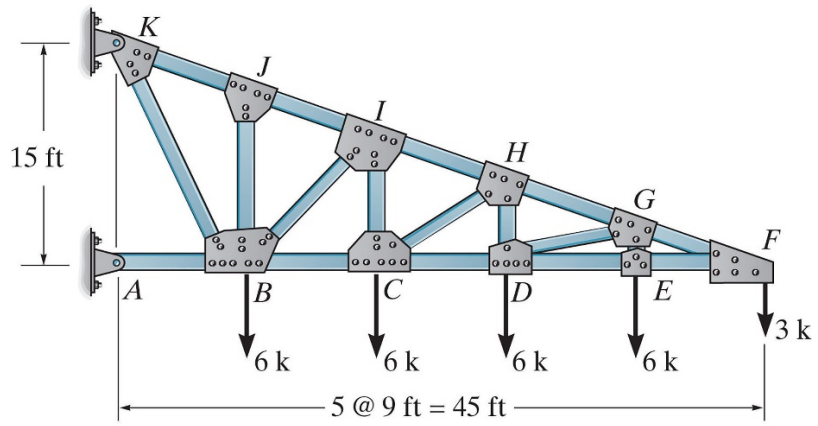
Problem 3c-4: Determine the forces in members GH , HC , and BC .



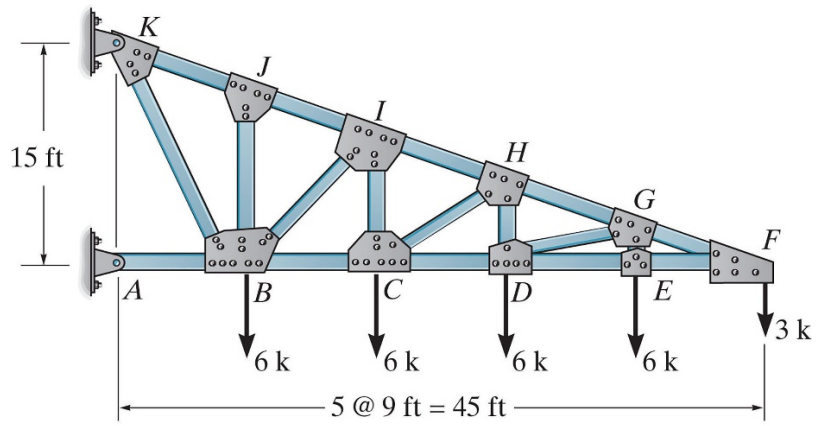
Problem 3c-4: Determine the forces in members GH , HC , and BC .



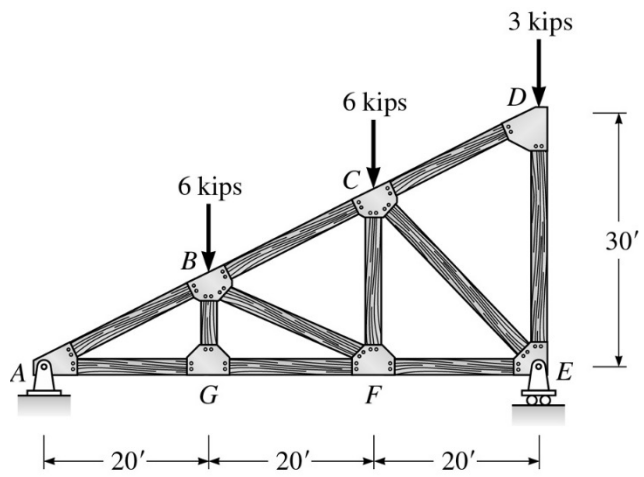
Problem 3c-5: Determine the forces in members IJ , BI , and BC .



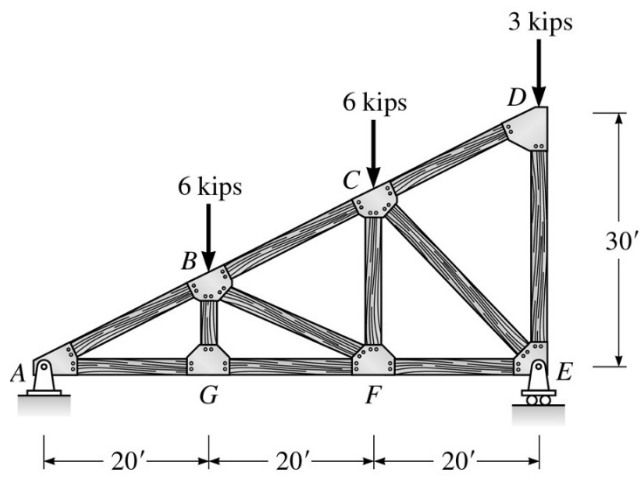
Problem 3c-5: Determine the forces in members IJ , BI , and BC .



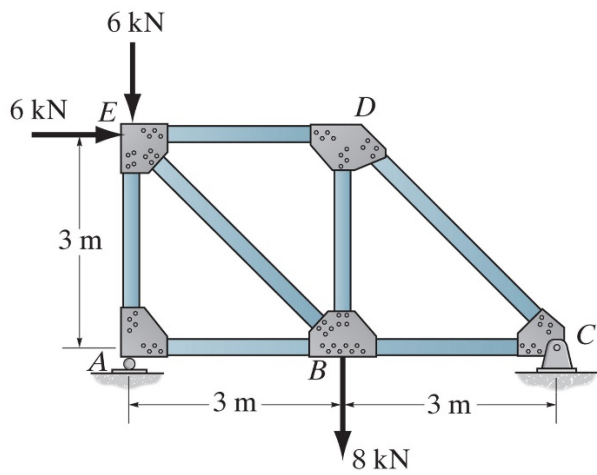
Example 3c-6: Determine the forces in all bars of the truss



Example 3c-6: Determine the forces in all bars of the truss



Problem 3c-7: Determine the forces in all bars of the truss.



Problem 3c-7: Determine the forces in all bars of the truss.

