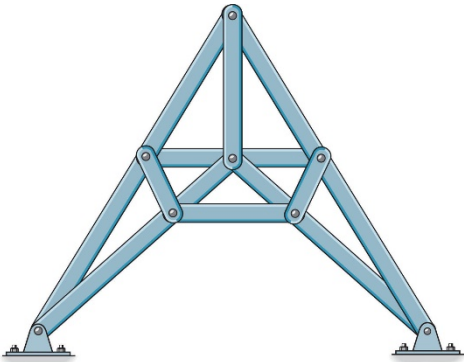
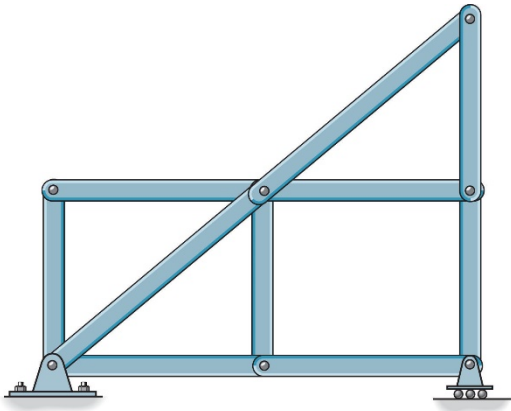


Example 3a-1. Classify each truss as determinate, indeterminate, or unstable.



Example 3a-2. Classify each truss as determinate, indeterminate, or unstable.

