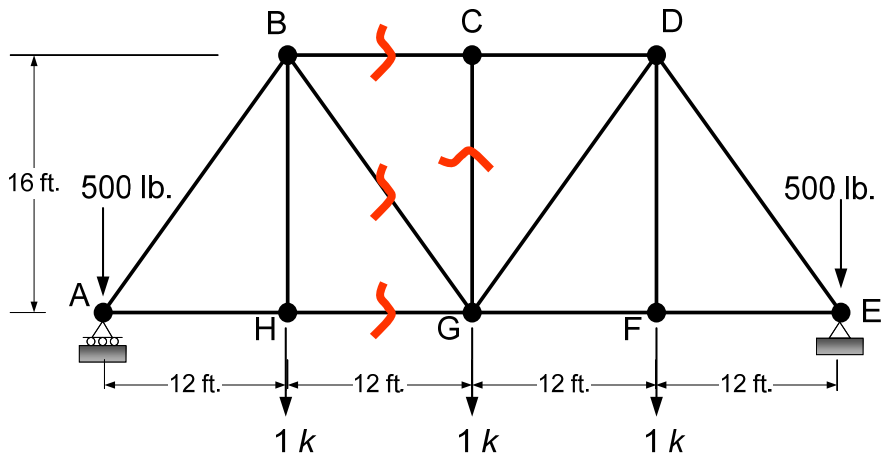
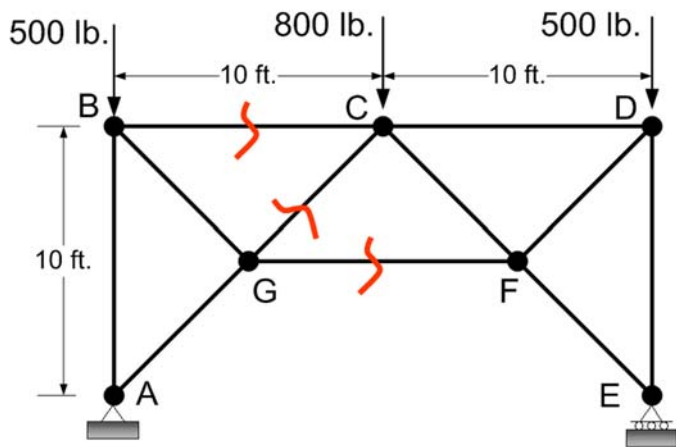


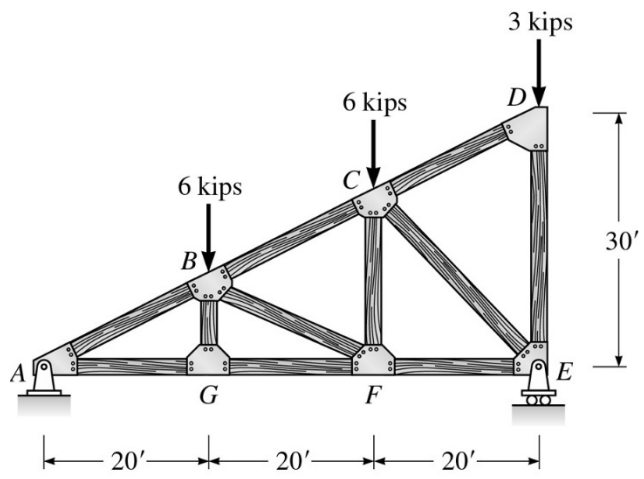
Example 3-4: Determine the forces BC, BG, HG, and CG in the following truss.



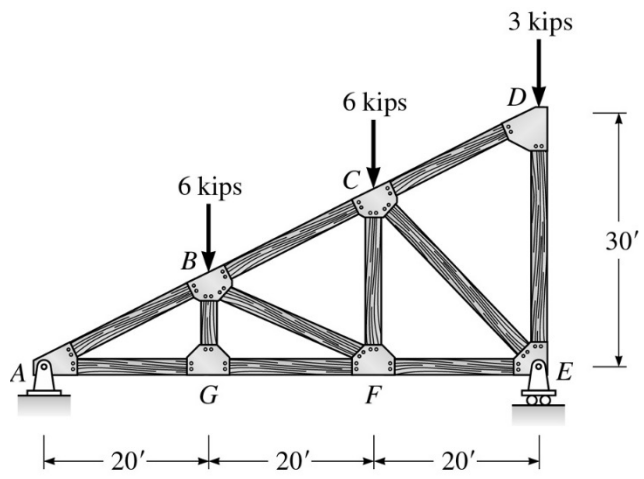
Example 3-5: Determine the forces BC, CG, and GF in the following truss.



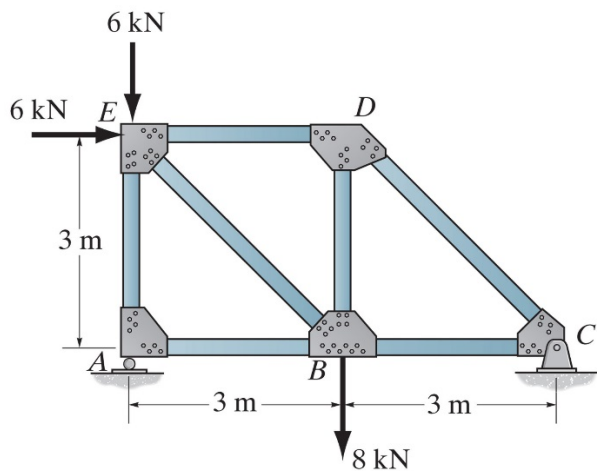
Example 3-6: Determine the forces in all bars of the truss



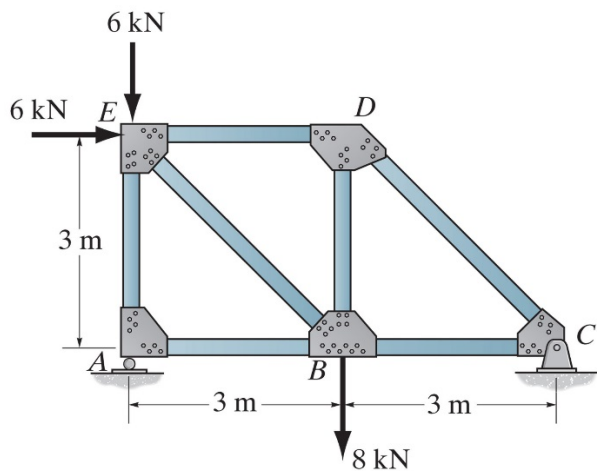
Example 3-6: Determine the forces in all bars of the truss



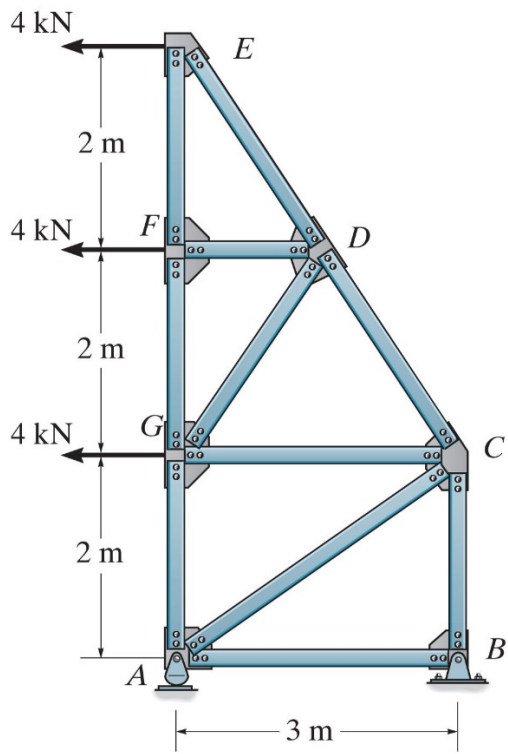
Problem 3-18: Determine the forces in all bars of the truss.



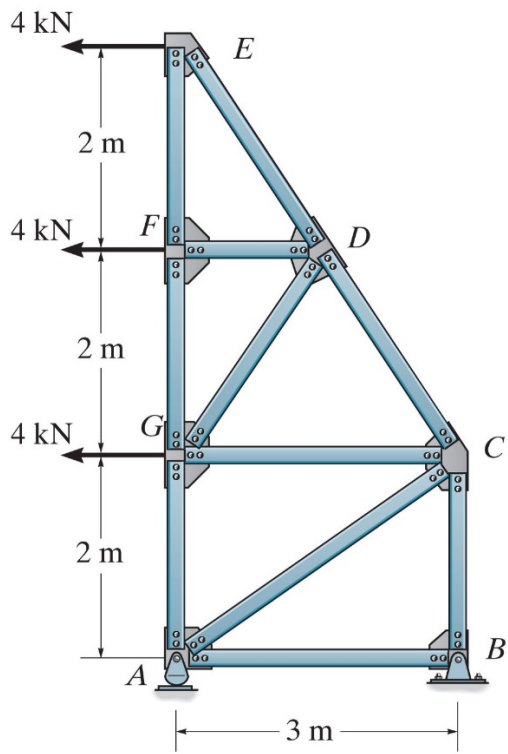
Problem 3-18: Determine the forces in all bars of the truss.



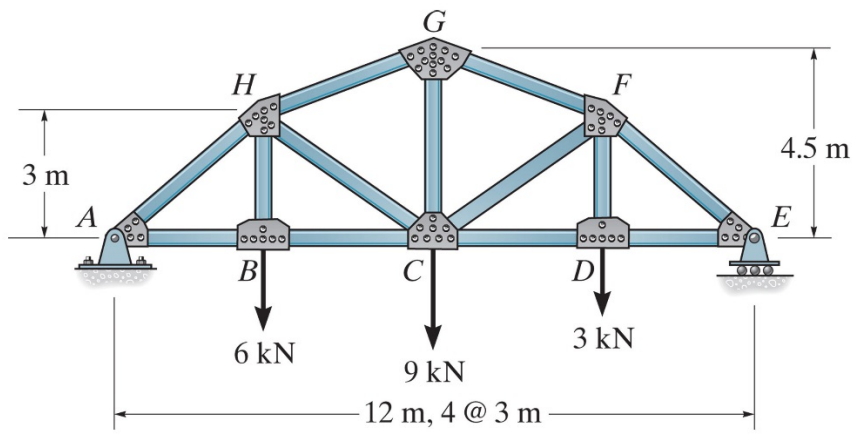
Problem 3-21: Determine the forces in members FG , GD , CD , and GA .



Problem 3-21: Determine the forces in members FG , GD , CD , and GA .



Problem 3-31: Determine the forces in members GH , HC , and BC .



Problem 3-31: Determine the forces in members GH , HC , and BC .

