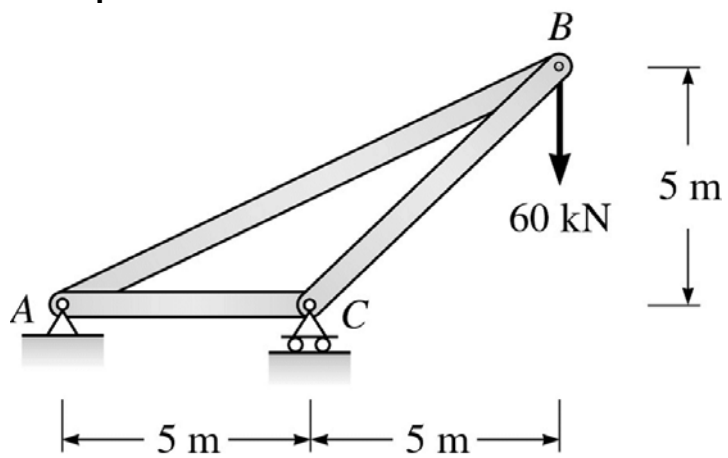
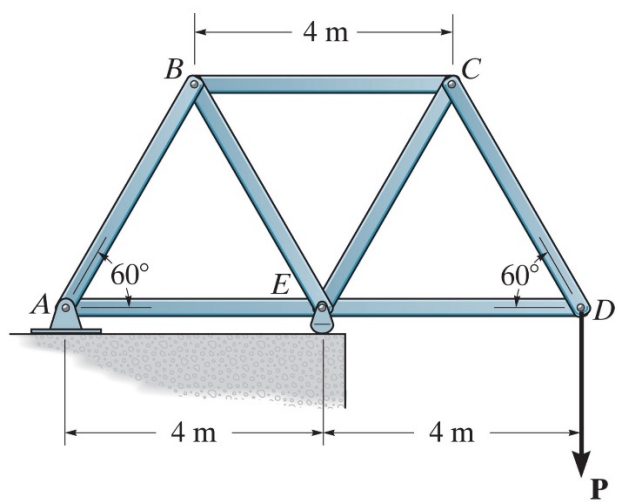


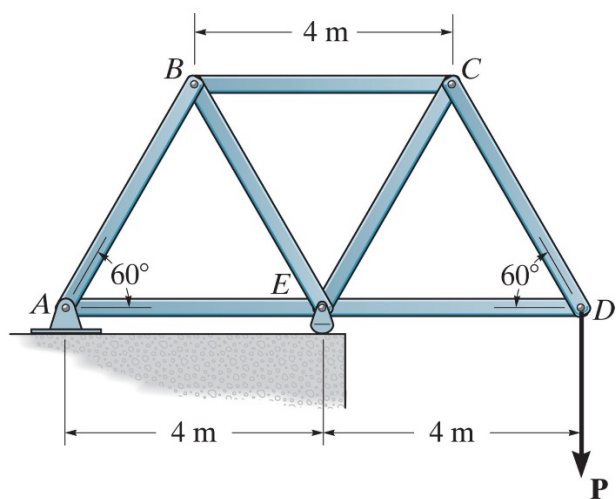
Example 3-1. Determine all the forces in the following truss.



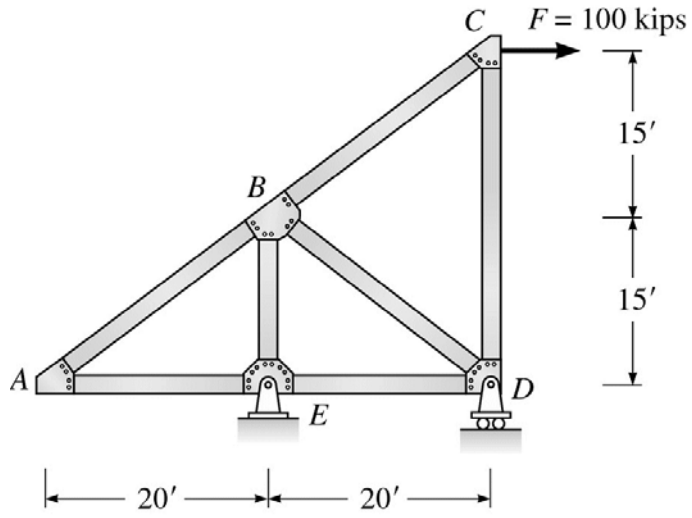
Example 3-2. Determine all the forces in the following truss.



Example 3-2. Determine all the forces in the following truss.



Example 3-3. Determine all the forces in the following truss.



Example 3-3. Determine all the forces in the following truss.

