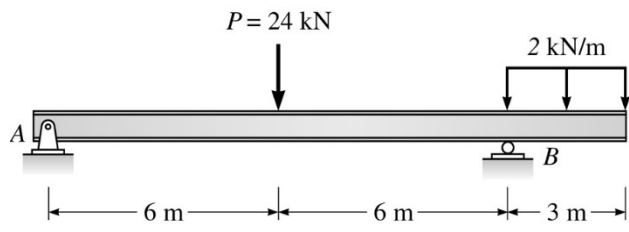
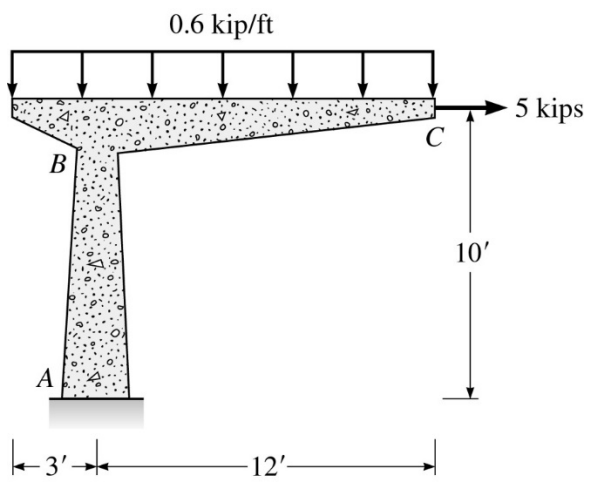


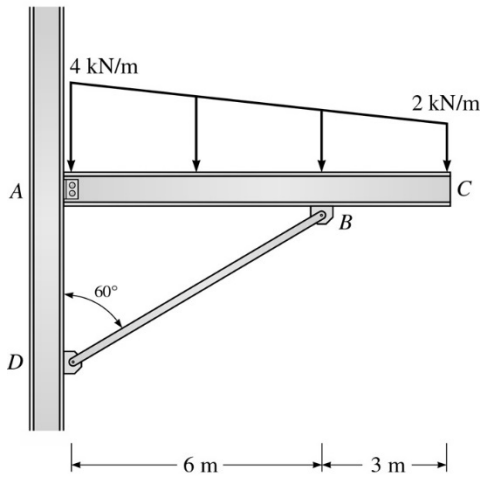
**Example 2-1:** Find the reactions



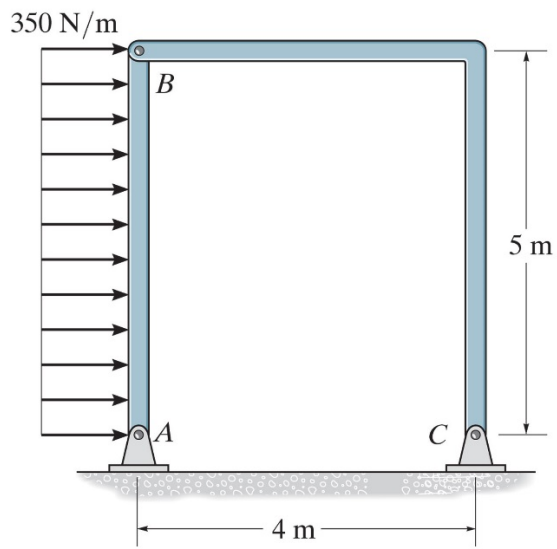
**Example 2-2:** Find the reactions



**Example 2-3:** Find the reactions



**Problem 2-37** - Determine the horizontal and vertical reactions at A and C of the two-member frame.



**Problem 2-39:** Find the reactions at *A* and *D*.

