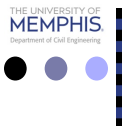


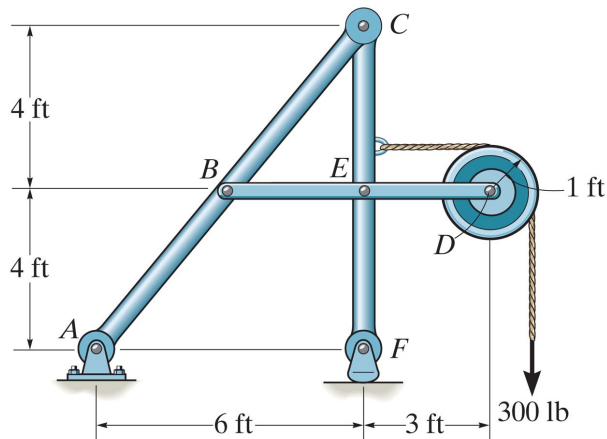
# Simple Machines and Equilibrium II



If you miss a class at beauty school  
you'll need a makeup session.



Draw a complete FBD of the system as shown. Not the components, the entire system.

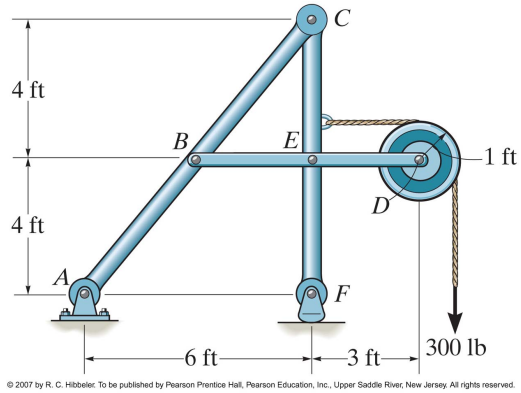


© 2007 by R. C. Hibbeler. To be published by Pearson Prentice Hall, Pearson Education, Inc., Upper Saddle River, New Jersey. All rights reserved.



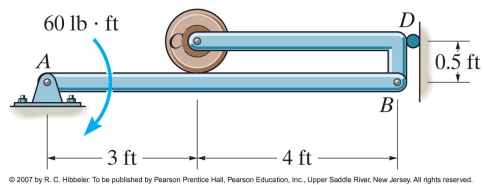
## Problems

- Problem 6-78
- Determine the horizontal and vertical components at C which member ABC exerts on member CEF.



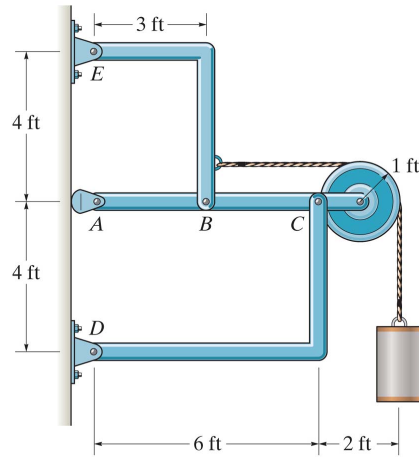
## Problems

- Problem 6-84
- Determine the force that the smooth roller C exerts on the beam AB. What are the horizontal and vertical components of reaction at pin A?



## Problems

- Problem 6-89
- Determine the horizontal and vertical components at each pin. The suspended cylinder has a weight of 80 lb.



© 2007 by R. C. Hibbeler. To be published by Pearson Prentice Hall, Pearson Education, Inc., Upper Saddle River, New Jersey. All rights reserved.